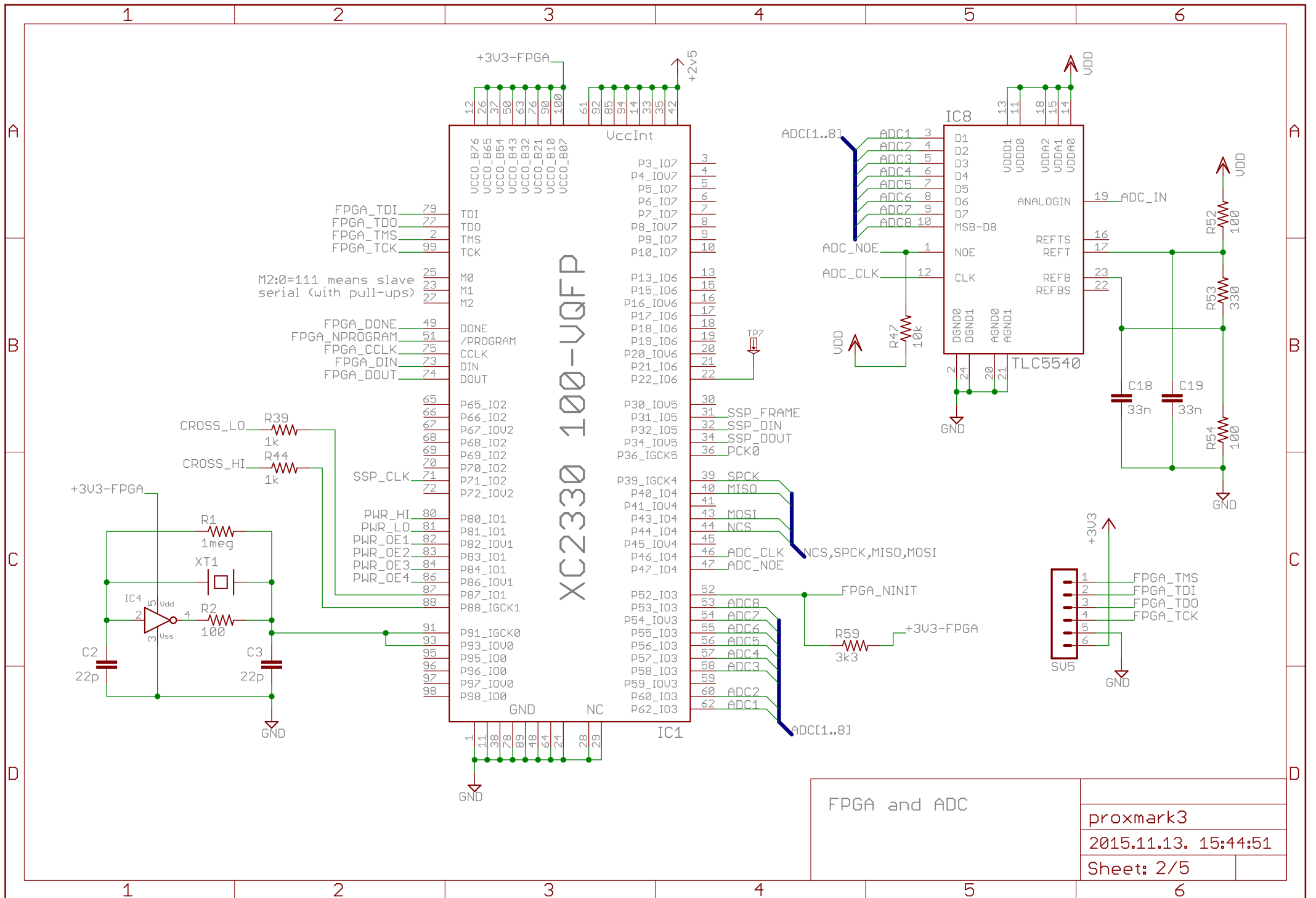
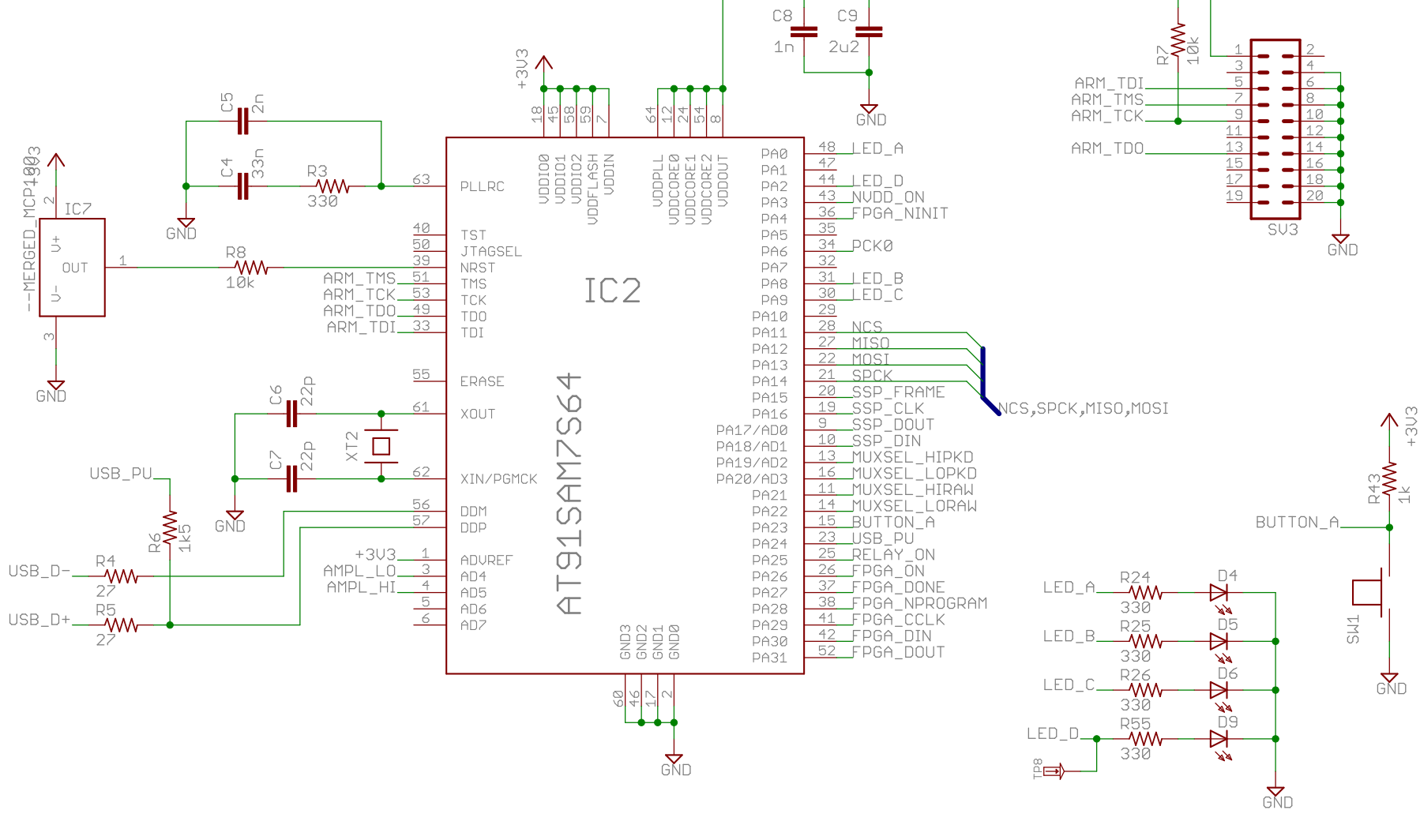
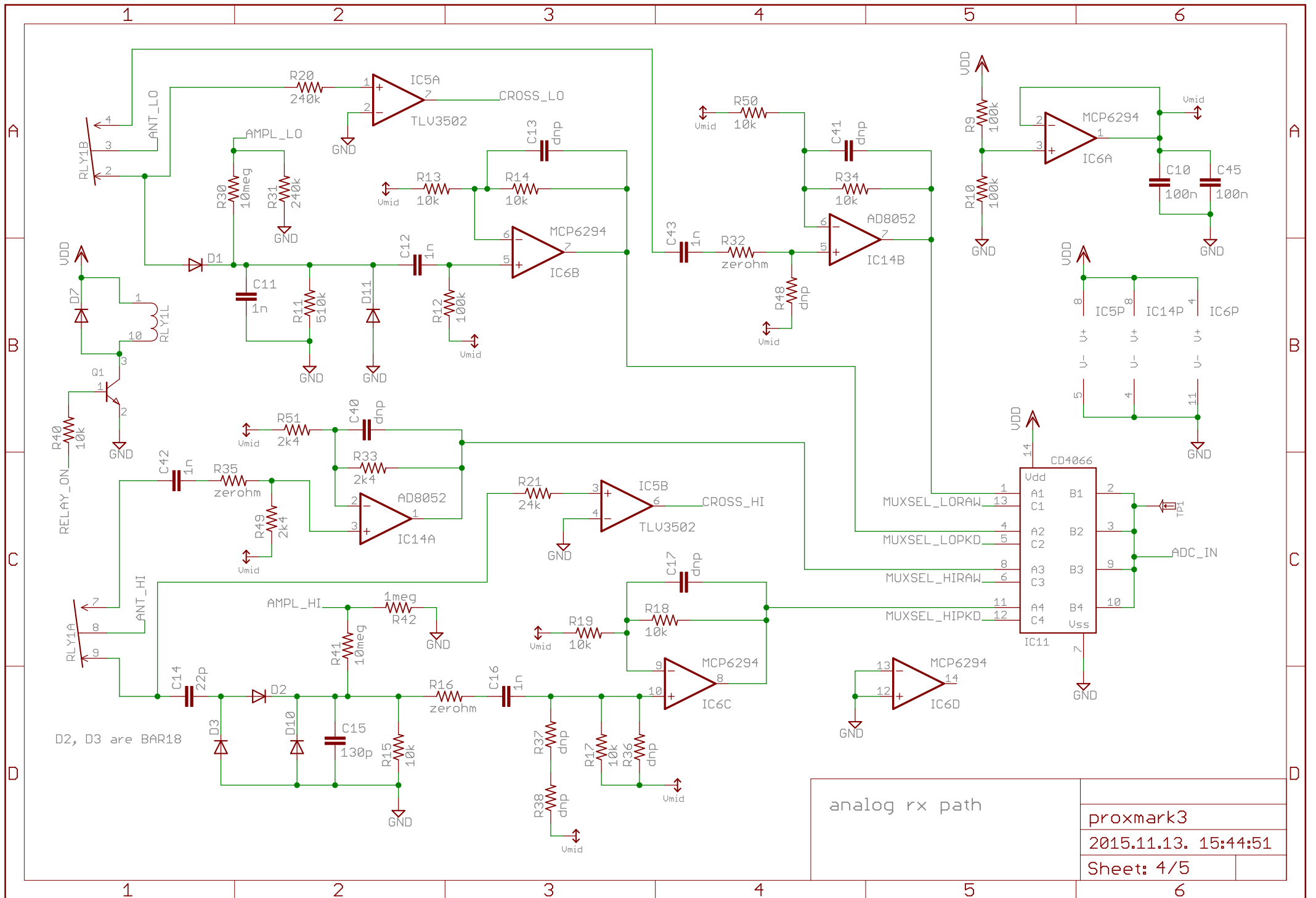


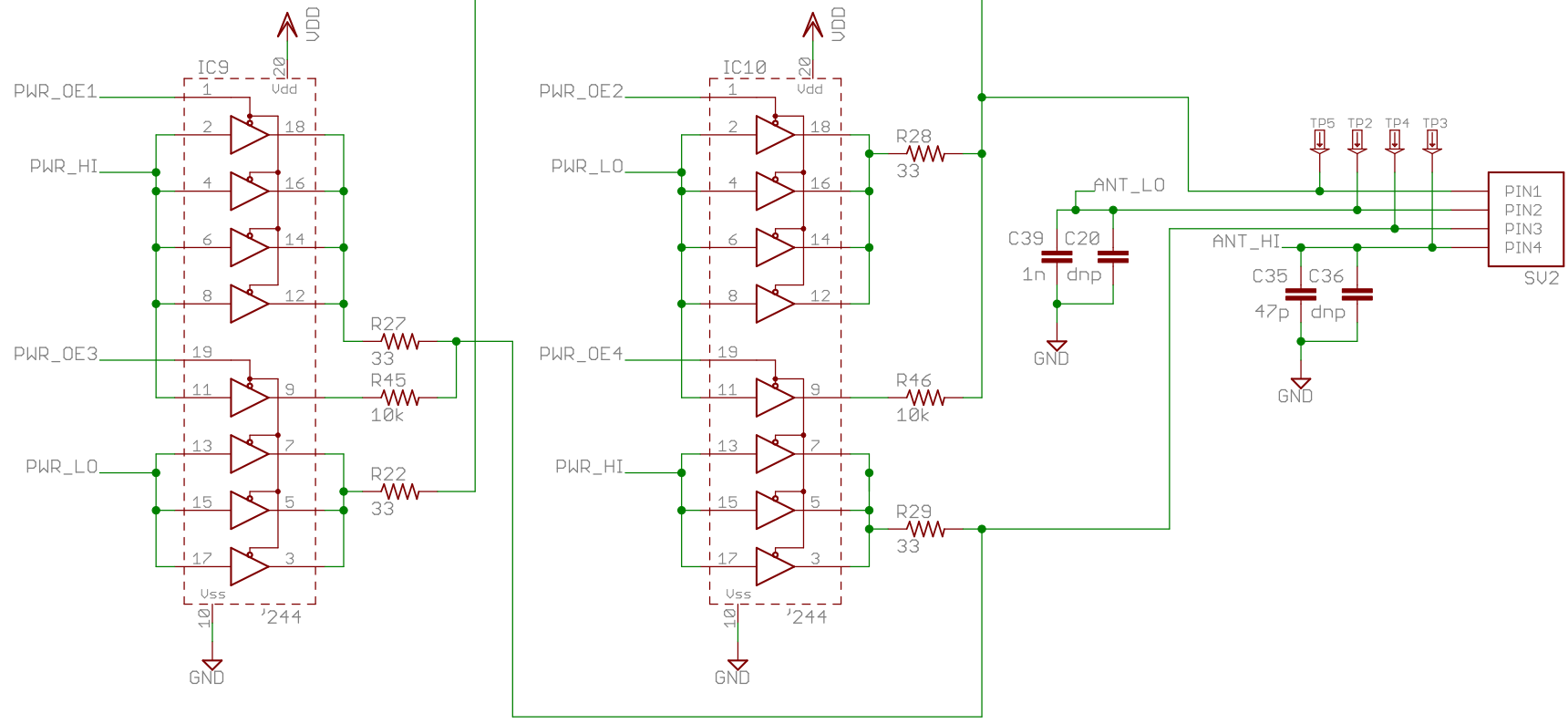
power and bypass	
proxmark3	
2015.11.13. 15:44:51	
Sheet: 1/5	



M2:0=111 means slave serial (with pull-ups)







analog tx path (incl. coil drivers)	
proxmark3	
2015.11.13. 15:44:51	
Sheet: 5/5	